



ECO 5" LED DOWNLIGHT

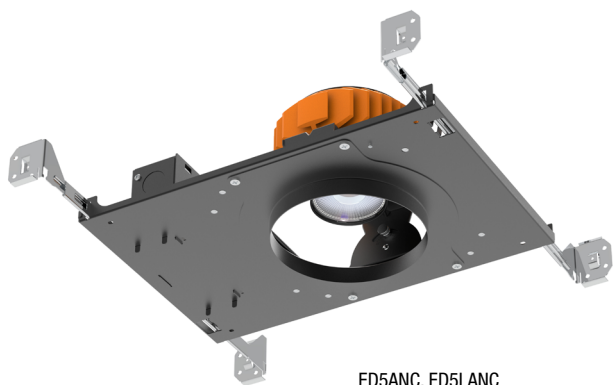
ED5AIC, ED5ANC, ED5NC, ED5RM
ED5LAIC, ED5LANC, ED5LNIC, ED5LRIC
ED5SNIC

PROJECT: _____

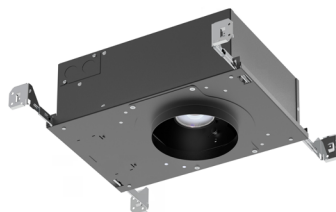
TYPE: _____

NOTE: _____

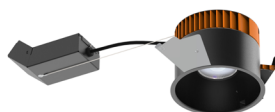
SPEC-00273 NEW ECO, 5", V-5.0, UPDATED 08/29/2022



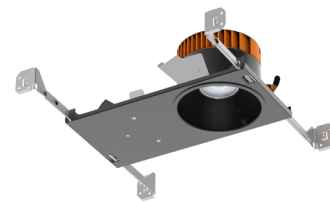
ED5ANC, ED5LANC



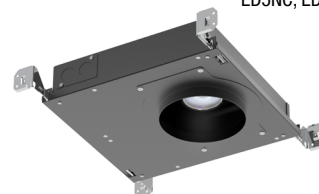
ED5AIC, ED5LAIC



ED5RM, ED5LRIC



ED5NC, ED5LNIC



ED5SNIC

LED LIGHT ENGINE

RATED WATTAGE	29.5W, 24W, 15.3W
DELIVERED LUMENS	Up to 2657 lm
EFFICACY	Up to 104 LPW
CCT @ 90CRI	2700K, 3000K, 3500K, 4000K, Warm Dim
COLOR QUALITY	90+ CRI, 2-Step SDCM
LED LIFETIME	55,000 hours @ L90

DELIVERED LUMENS MATRIX

ED5 (29.5W)	10° Optic	30° Optic	50° Optic	80° Optic
2700K (90CRI)	2275 lm	2403 lm	2139 lm	1624 lm
3000K (90CRI)	2458 lm	2597 lm	2311 lm	1755 lm
3500K (90CRI)	2516 lm	2657 lm	2366 lm	1796 lm
4000K (90CRI)	2590 lm	2735 lm	2435 lm	1849 lm

ED5 NIC, RIC (15.3W)	10° Optic	30° Optic	50° Optic	80° Optic
Warm Dim (98 CRI, R9>90)	1030 lm	1081 lm	992 lm	723 lm

ED5 AIC, ANC (24W)	10° Optic	30° Optic	50° Optic	80° Optic
Warm Dim (98 CRI, R9>90)	1472 lm	1545 lm	1418 lm	1033 lm

ED5L (15.3W)	10° Optic	30° Optic	50° Optic	80° Optic
2700K (90CRI)	1348 lm	1424 lm	1268 lm	963 lm
3000K (90CRI)	1457 lm	1539 lm	1370 lm	1040 lm
3500K (90CRI)	1491 lm	1575 lm	1402 lm	1065 lm
4000K (90CRI)	1535 lm	1621 lm	1443 lm	814 lm

ED5S (24W)	10° Optic	30° Optic	50° Optic	80° Optic
2700K (90CRI)	1953 lm	2063 lm	1836 lm	1394 lm
3000K (90CRI)	2110 lm	2229 lm	1984 lm	1507 lm
3500K (90CRI)	2160 lm	2282 lm	2031 lm	1542 lm
4000K (90CRI)	2223 lm	2348 lm	2090 lm	1587 lm
Warm Dim (98 CRI, R9>90)	1472 lm	1545 lm	1418 lm	1033 lm

SILENT VU™ OPTICS TECHNOLOGY

OPTICS	50° Installed, 10°, 30°, 80° available
ADJUSTABLE	0° to 45° tilt (Adjustable housings only)
MEDIA	Clear, Solite, Frosted, Linear Spread

POWER SUPPLY

INPUT VOLTAGE	120/277V, 50/60Hz
DIMMING	TRIAC, ELV, 0-10V, dims to 1%
SERVICABILITY	Below Ceiling Access

TRIM OPTIONS

- Fixed or Adjustable
- Round or Square
- Standard or Trimless
- Wall Wash
- Wet Location

TRIM COLORS

- White
- Black
- Champagne
- Champagne w/ White Flange
- Black w/ White Flange
- Silver w/ White Flange

HOUSING INSTALLATION

- New Construction includes (2) galvanized steel adjustable hanger bars
- Remodel option available
- 5/8" ~ 2" ceiling thickness
- Min Plenum Height: 2½" Shallow
- Ceiling Material: Drywall, T-bar grid
- Steel junction box with up to (4) ½" knockouts
- AIC, NIC, RIC, SNIC models are Air Tight
- AIC, SNIC models are CCEA compliant.
(Note: polycell spray-in foam insulation must be kept 3" from housing)

LISTINGS AND WARRANTY

cULus Listed	ASTM E283 Certified Airtight (AIC, NIC, RIC, SNIC Models)
UL Listed for Damp Location (All Styles)	UL Listed for Wet Location (Wet Location Trim Style)
IC Rated and Non IC Rated Available	CCEA (Chicago Plenum) Approved (AIC, SNIC Models)
Five (5) years limited warranty	CA Title 24-JA8 Compliant (AIC, NIC, RIC, SNIC Models)





ECO 5" LED DOWNLIGHT

ED5AIC, ED5ANC, ED5NC, ED5RM
ED5LAIC, ED5LANC, ED5LNIC, ED5LRIC
ED5SNIC

PROJECT: _____

TYPE: _____

NOTE: _____

SPEC-00273 NEW ECO, 5", V-5.0, UPDATED 08/29/2022

ORDER MATRIX

ED5

ECO 5" HOUSING + LIGHT ENGINE ORDER MATRIX (Example: ED5AIC-309050-30S)

HOUSING BASE		LED PERFORMANCE			DRIVER ASSEMBLY	
FAMILY APERTURE	INSTALLATION TYPE	CCT	CRI	OPTIC	WATTAGE	LED DIMMING DRIVER
ED5 ECO 5"	AIC¹ (Adjustable New Construction, IC, CCEA)	-27 (2700K)	90 (90 CRI)	50 (50° Flood) Installed 10°, 30°, 80° optics available from the Additional Optics Accessories table below	-30 (29.5W)	S Universal Dimming Driver (1%-100% 0-10V, TRIAC, ELV, 120V/277V)
	ANC¹ (Adj New Construction)	-30 (3000K)				
	NC (New Construction)	-35 (3500K)				
	RM (Remodel)	-40 (4000K)				
ED5 ECO 5" Warm Dim	AIC^{1,2} (Adjustable New Construction, IC, CCEA)	-WD² (1800K~3000K) Warm Dim	98 (98 CRI) Warm Dim	50 (50° Flood) Installed 10°, 30°, 80° optics available from the Additional Optics Accessories table below	-16² (15.3W) NIC or RIC Installation Type only -25^{2,3} (24W) AIC or ANC Installation Type only	S Universal Dimming Driver (1%-100% 0-10V, TRIAC, ELV, 120V/277V)
	ANC^{1,2} (Adj New Construction)					
	NIC² (New Construction IC)					
	RIC² (Remodel IC)					

1. AIC and ANC: Trimless Style available, order associated Trimless Mudplate/Housing Collar from Trim Accessories.

2. AIC or ANC Installation Type and Wattage Code -25. NIC or RIC Installation Type and Wattage Code -16. Requires Optical Media Accessory.

3. Wattage Code -25 Title 24 JA-8 compliant only with 10°, 30° or 50° optic installed.

ED5L

ECO 5" HOUSING + LIGHT ENGINE ORDER MATRIX (Example: ED5LAIC-309050-16S2)

HOUSING BASE		LED PERFORMANCE			DRIVER ASSEMBLY	
FAMILY APERTURE	INSTALLATION TYPE	CCT	CRI	OPTIC	WATTAGE	LED DIMMING DRIVER
ED5L ECO 5" LPD	AIC¹ (Adjustable New Construction, IC, CCEA)	-27 (2700K)	90 (90 CRI)	50 (50° Flood) Installed 10°, 30°, 80° optics available from the Additional Optics Accessories table below	-16 (15.3W)	S2 Phase Control Dimming Driver (1%-100% TRIAC, ELV, 120V/277V)
	ANC¹ (Adj New Construction)	-30 (3000K)				
	NIC (New Construction IC)	-35 (3500K)				
	RIC (Remodel IC)	-40 (4000K)				

1. AIC and ANC: Trimless Style available, order associated Trimless Mudplate/Housing Collar from Trim Accessories.

ED5S

ECO 5" HOUSING + LIGHT ENGINE ORDER MATRIX (Example: ED5SNIC-309050-25S)

HOUSING BASE		LED PERFORMANCE			DRIVER ASSEMBLY	
FAMILY APERTURE	INSTALLATION TYPE	CCT	CRI	OPTIC	WATTAGE	LED DIMMING DRIVER
ED5S ECO 5" Shallow	NIC¹ (Shallow Plenum New Construction, IC, CCEA)	-27 (2700K)	90 (90 CRI)	50 (50° Flood) Installed 10°, 30°, 80° optics available from the Additional Optics Accessories table below	-25 (24W)	S Universal Dimming Driver (1%-100% 0-10V, TRIAC, ELV, 120V/277V)
		-30 (3000K)				
		-35 (3500K)				
		-40 (4000K)				
ED5S ECO 5" Shallow Warm Dim	NIC¹ (Shallow Plenum New Construction, IC, CCEA)	-WD² (1800K~3000K) Warm Dim	98 (98 CRI) Warm Dim	50 (50° Flood) Installed	-25 (24W)	S Universal Dimming Driver

1. Trimless Style available, order associated Trimless Mudplate/Housing Collar from Trim Accessories.

2. Requires Optical Media Accessory.



ECO 5" LED DOWNLIGHT

ED5AIC, ED5ANC, ED5NC, ED5RM
ED5LAIC, ED5LANC, ED5LNIC, ED5LRIC
ED5SNIC

PROJECT: _____

TYPE: _____

NOTE: _____

SPEC-00273 NEW ECO, 5", V-5.0, UPDATED 08/29/2022

ORDER MATRIX

TRIM

ECO 5" DOWNLIGHT TRIM ORDER MATRIX (Example: ED5-RFSTWT)

FAMILY APERTURE	TRIM SHAPE	TRIM POSITION	TRIM STYLE	TRIM FINISH
ED5- ECO 5"	R (Round)	F (Fixed)	ST (Standard)	WT (White)
	S (Square)	A (Adjustable)	WW ^{1,2} (Wall Wash)	BK (Black)
			WL ¹ (Wet Location)	CN (Champagne)
			TL ³ (Standard Trimless)	BW ⁴ (Black w/ White Flange)
				SW ⁴ (Silver w/ White Flange)
				CW ⁴ (Champagne w/ White Flange)

1. Use F (Fixed Position) for WW (Wall Wash) and WL (Wet Location) style.
2. WW (Wall Wash) Style Trim ships with recommended 80° optic.
3. Must order associated Mudplate from Trim Accessories. Trimless Style for use with AIC, ANC, and SNIC models only.
4. Color option available in ST (Standard) Style only.

ACCESSORIES

ECO 5" ACCESSORIES FOR ECO ED5, ED5L, ED5S

ADDITIONAL OPTICS
ED5-10-OPTIC ¹ (10° Spot)
ED5-30-OPTIC ¹ (30° Narrow Flood)
ED5-50-OPTIC ¹ (50° Flood)
ED5-80-OPTIC ² (80° Wide Flood)

OPTICAL MEDIA
ED5-CL (Clear Lens)
ED5-MP ¹ (Solite Lens)
ED5-FR ² (Frosted Lens)
ED5-LS (Linear Spread Lens)
ED5-MHLDR ^{3,4} (Media Holder)

EMERGENCY OPTIONS
EM-1000 (25W Remote Inverter)
EM-1002 (10W Remote Inverter)
EM-1003 (35W Remote Inverter)
EM-1003-CA (35W Remote Inverter) Title 20
EM-1004 (50W Remote Inverter)
EM-1006 (25W Remote Inverter) Title 20

1. WD with 10°, 30°, 50° Optic requires MP (Solite Lens).
2. WD with 80° Optic requires FR (Frosted Lens).
3. MHLDR required when ordering 2 optical media.
4. MHLDR only compatible with AIC, ANC and SNIC.

TRIM ACCESSORIES

ECO 5" TRIM ACCESSORIES ORDER MATRIX (Example: ED5-R-TL)

SIZE	STYLE
ED5- ECO 5"	R-TL (Round Trimless Mudplate)
	S-TL (Square Trimless Mudplate/Housing Collar)
	R-FMA (Round Flush Mount Adapter)
	S-FMA (Square Flush Mount Adapter)
	TC1 (Thick Ceiling Adapter for ceilings 1 ¹ / ₁₆ " to 1 ¹ / ₄ ")
	TC2 (Thick Ceiling Adapter for ceilings 1 ⁵ / ₁₆ " to 2")



ECO 5" LED DOWNLIGHT

ED5AIC, ED5ANC, ED5NC, ED5RM
ED5LAIC, ED5LANC, ED5LNIC, ED5LRIC
ED5SNIC

PROJECT: _____

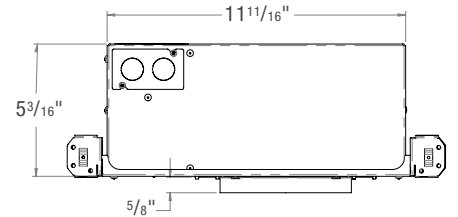
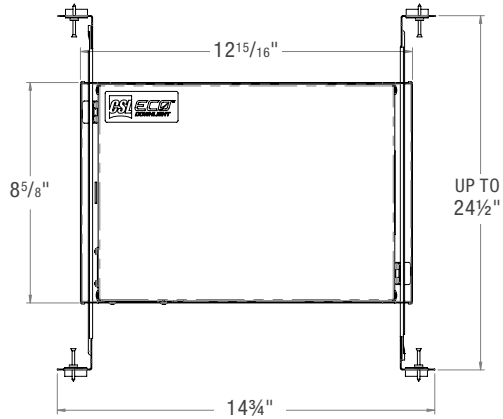
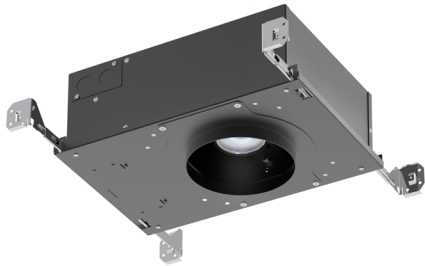
TYPE: _____

NOTE: _____

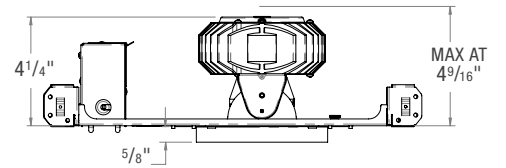
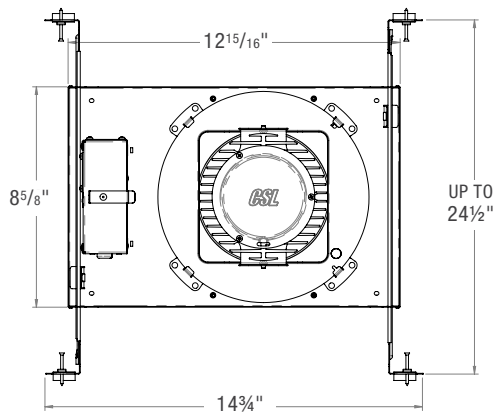
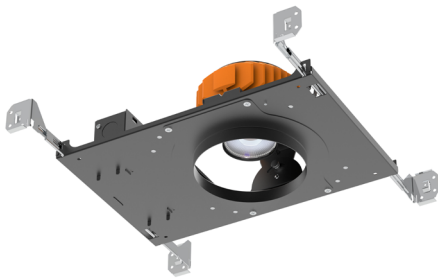
SPEC-00273 NEW ECO, 5", V-5.0, UPDATED 08/29/2022

HOUSING AND LIGHT ENGINE LINE DRAWINGS

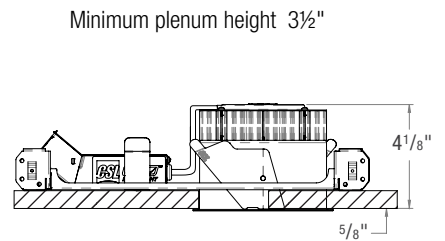
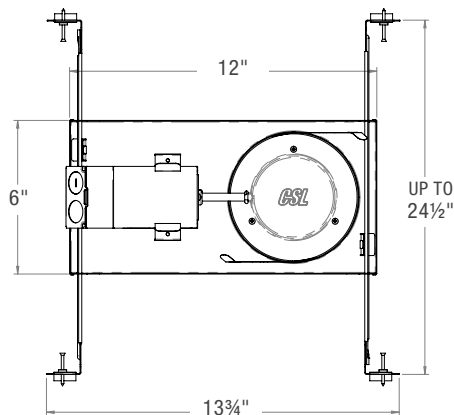
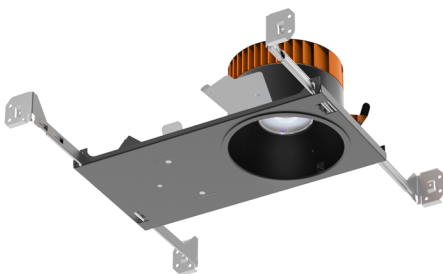
ED5AIC, ED5LAIC



ED5ANC, ED5LANC



ED5NC, ED5LNIC





ECO 5" LED DOWNLIGHT

ED5AIC, ED5ANC, ED5NC, ED5RM
ED5LAIC, ED5LANC, ED5LNIC, ED5LRIC
ED5SNIC

PROJECT: _____

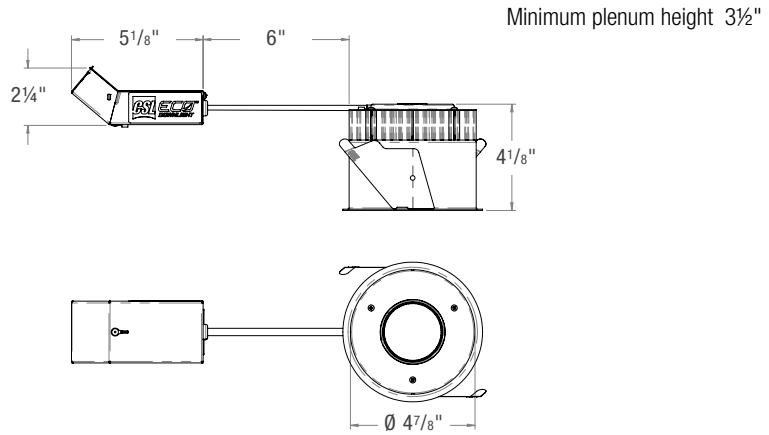
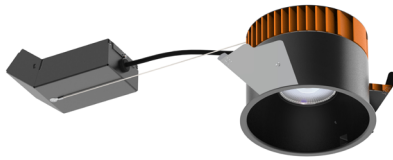
TYPE: _____

NOTE: _____

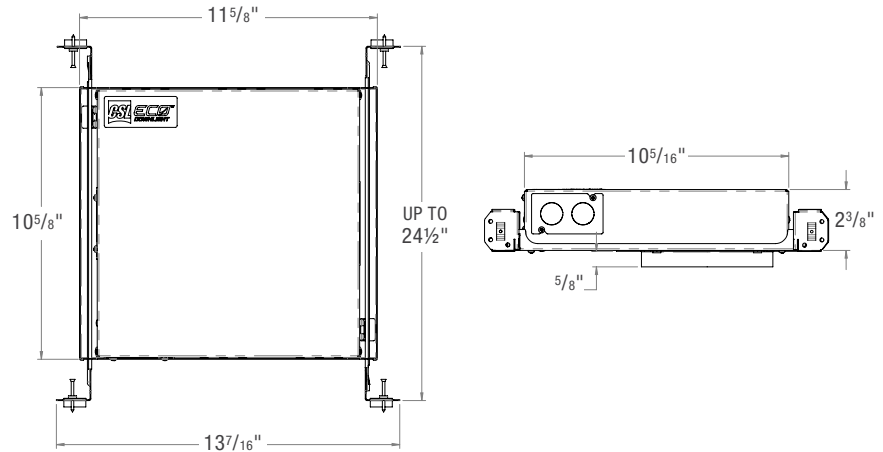
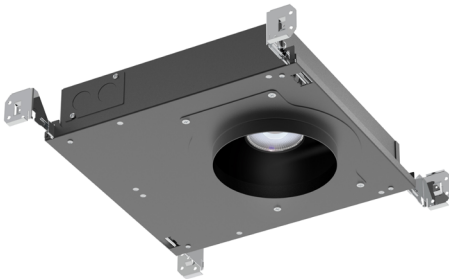
SPEC-00273 NEW ECO, 5", V-5.0, UPDATED 08/29/2022

HOUSING AND LIGHT ENGINE LINE DRAWINGS

ED5RM, ED5LRIC



ED5SNIC





ECO 5" LED DOWNLIGHT

ED5AIC, ED5ANC, ED5NC, ED5RM
ED5LAIC, ED5LANC, ED5LNIC, ED5LRIC
ED5SNIC

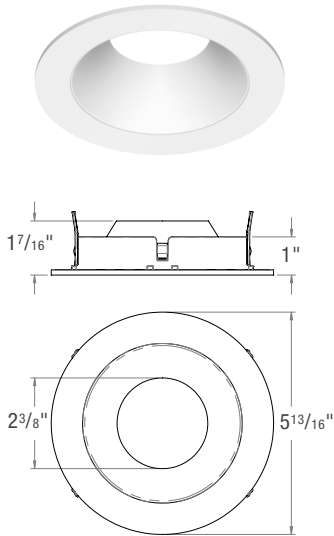
PROJECT: _____

TYPE: _____

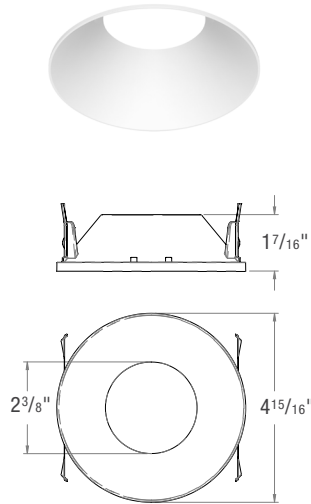
NOTE: _____

SPEC-00273 NEW ECO, 5", V-5.0, UPDATED 08/29/2022

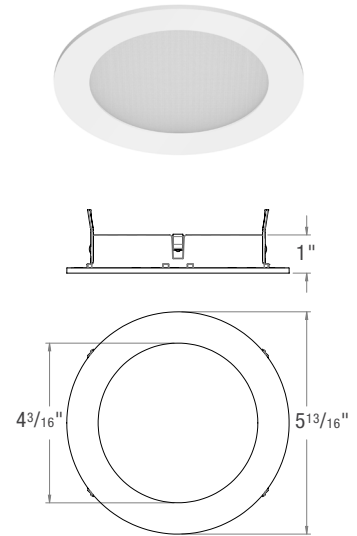
TRIM STYLES



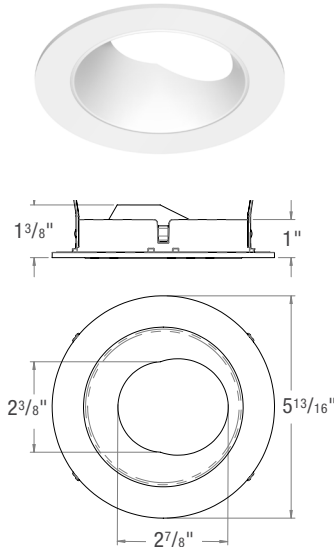
ED5-RFST
Round Fixed Standard



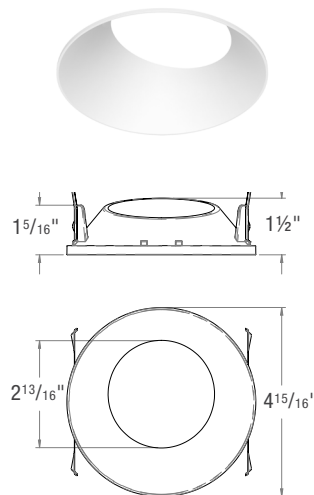
ED5-RFTL
Round Fixed Trimless
Must order associated Mudplate from Trim Accessories.
Trimless Style for use with AIC, ANC, and SNIC models only.



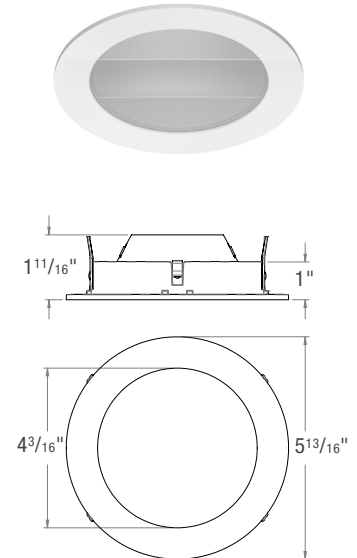
ED5-RFWL
Round Wet Location



ED5-RAST
Round Adjustable Standard
Adjustable trim styles for use
with adjustable AIC and ANC models only.



ED5-RATL
Round Adjustable Trimless
Adjustable trim styles for use with adjustable AIC
and ANC models only.
Must order associated Mudplate from Trim Accessories.
Trimless Style for use with AIC, ANC, and SNIC models only.



ED5-RFWW
Round Wall Wash



ECO 5" LED DOWNLIGHT

ED5AIC, ED5ANC, ED5NC, ED5RM
ED5LAIC, ED5LANC, ED5LNIC, ED5LRIC
ED5SNIC

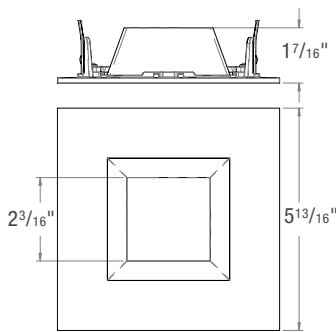
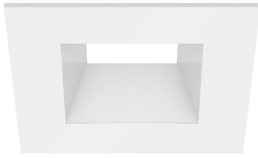
PROJECT: _____

TYPE: _____

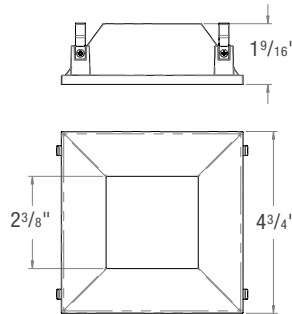
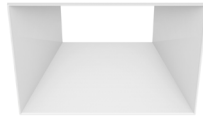
NOTE: _____

SPEC-00273 NEW ECO, 5", V-5.0, UPDATED 08/29/2022

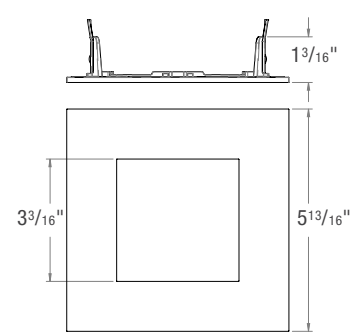
TRIM STYLES



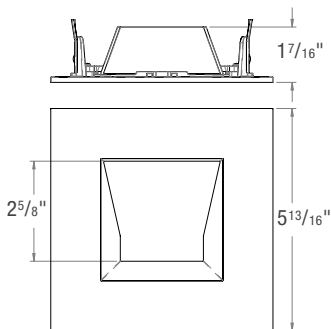
ED5-SFST
Square Fixed Standard



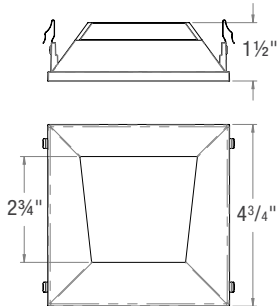
ED5-SFTL
Square Fixed Trimless
Must order associated Mudplate from Trim Accessories.
Trimless Style for use with AIC, ANC, and SNIC models only.



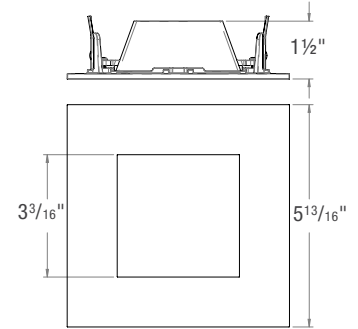
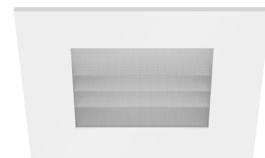
ED5-SFWL
Square Wet Location



ED5-SAST
Square Adjustable Standard
Adjustable trim styles for use with adjustable AIC and ANC models only.



ED5-SATL
Square Adjustable Trimless
Adjustable trim styles for use with adjustable AIC and ANC models only.
Must order associated Mudplate from Trim Accessories.
Trimless Style for use with AIC, ANC, and SNIC models only.



ED5-SFWW
Square Wall Wash





ECO 5" LED DOWNLIGHT

ED5AIC, ED5ANC, ED5NC, ED5RM
ED5LAIC, ED5LANC, ED5LNIC, ED5LRIC
ED5SNIC

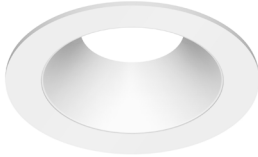
PROJECT: _____

TYPE: _____

NOTE: _____

SPEC-00273 NEW ECO, 5", V-5.0, UPDATED 08/29/2022

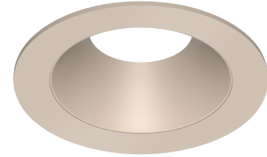
TRIM FINISHES



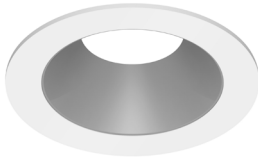
ED5-RFSTWT
WT (White Reflector with White Trim)



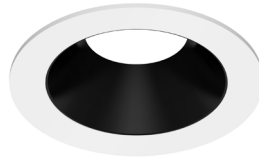
ED5-RFSTBK
BK (Black Reflector with Black Trim)



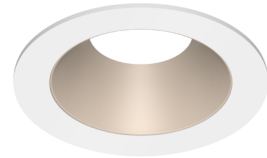
ED5-RFSTCN
CN (Champagne Reflector with Champagne Trim)



ED5-RFSTSW
SW (Silver Reflector with White Trim)



ED5-RFSTBW
BW (Black Reflector with White Trim)



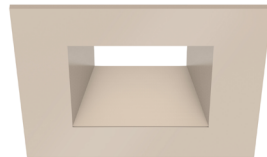
ED5-RFSTCW
CW (Champagne Reflector with White Trim)



ED5-SFSTWT
WT (White Reflector with White Trim)



ED5-SFSTBK
BK (Black Reflector with Black Trim)



ED5-SFSTCN
CN (Champagne Reflector with Champagne Trim)



ED5-SFSTSW
SW (Silver Reflector with White Trim)



ED5-SFSTBW
BW (Black Reflector with White Trim)



ED5-SFSTCW
CW (Champagne Reflector with White Trim)



ECO 5" LED DOWNLIGHT

ED5AIC, ED5ANC, ED5NC, ED5RM
ED5LAIC, ED5LANC, ED5LNIC, ED5LRIC
ED5SNIC

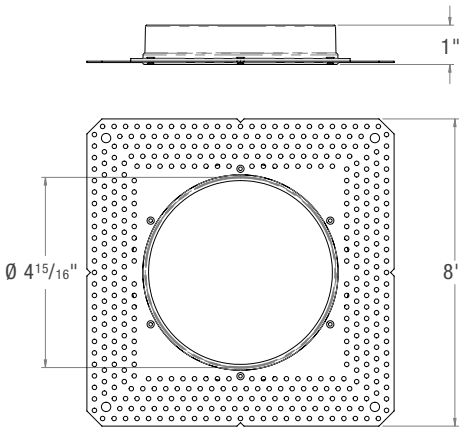
PROJECT: _____

TYPE: _____

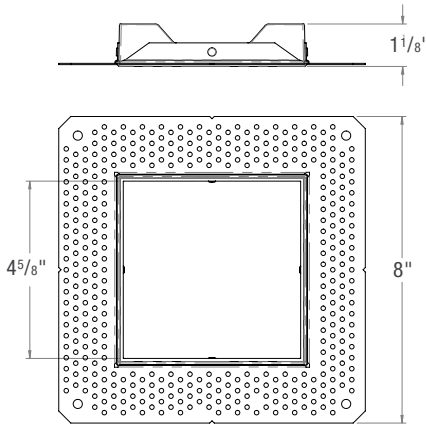
NOTE: _____

SPEC-00273 NEW ECO, 5", V-5.0, UPDATED 08/29/2022

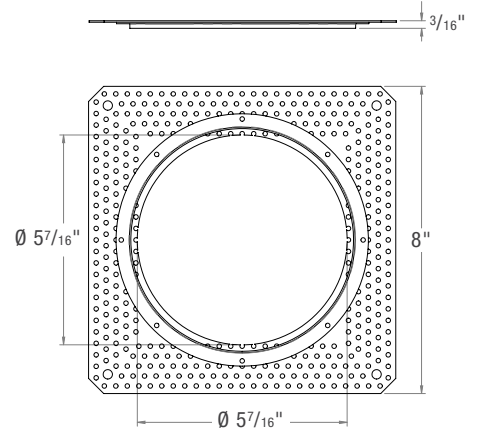
TRIM ACCESSORIES



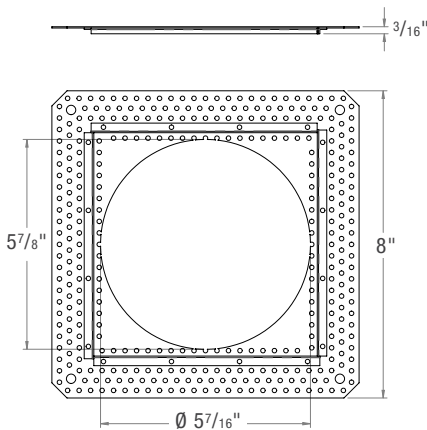
ED5-R-TL
Round Trimless Mudplate



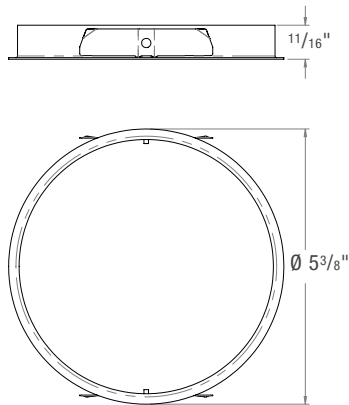
ED5-S-TL
Square Trimless Mudplate



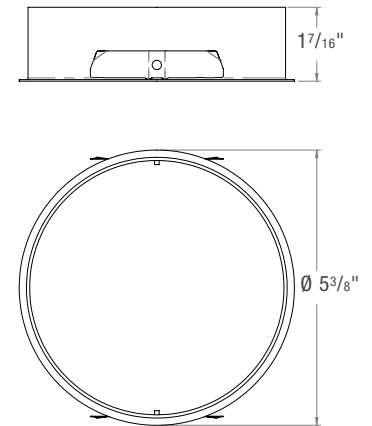
ED5-R-FMA
Round Flush Mount Adapter



ED5-S-FMA
Square Flush Mount Adapter



ED5-TC1
Thick Ceiling Adapter
for ceilings 1 1/16" to 1 1/4"



ED5-TC2
Thick Ceiling Adapter
for ceilings 1 5/16" to 2"



ECO 5" LED DOWNLIGHT

ED5AIC, ED5ANC, ED5NC, ED5RM
ED5LAIC, ED5LANC, ED5LNIC, ED5LRIC
ED5SNIC

PROJECT: _____

TYPE: _____

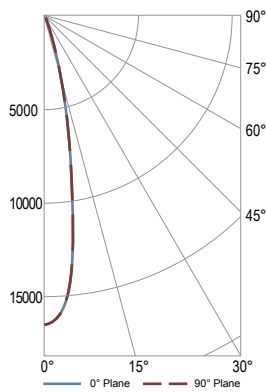
NOTE: _____

SPEC-00273 NEW ECO, 5", V-5.0, UPDATED 08/29/2022

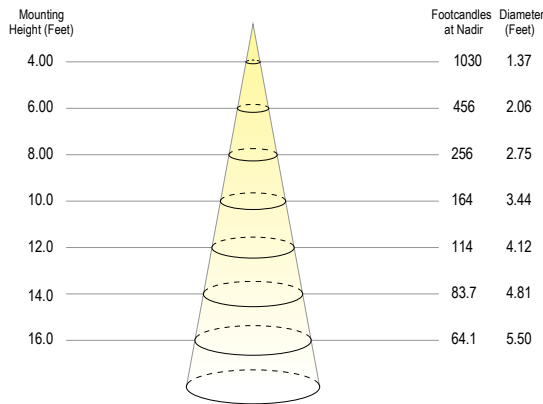
PHOTOMETRICS

Eco Downlight 5" ANC model (2700K, 90 CRI, 10° Optic, 30W)
Round, Standard, White Trim

Polar Plot



Cone of Light Tabulation



Voltage	Current	Power
120.0 VAC	0.2471 A	29.42 W

Power Factor	Frequency	Current THD
0.992	60 Hz	10.6%

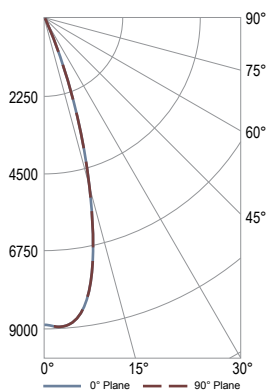
Summary of Results

Spacing Criteria 0-180: 0.34
90-270: 0.34
Total Lumen Output: 2275 Lumens
Luminaire Efficacy: 77.3 lm/w
Maximum Candela: 16409 Candela

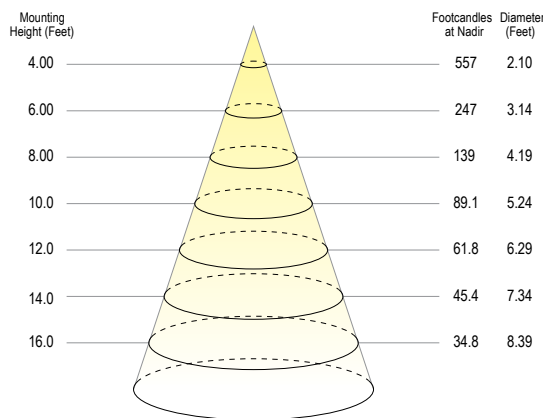
Zone	Lumens	% of Luminaire
0-40	2247	98.8%
0-60	2270	99.8%
0-90	2275	100.0%

Eco Downlight 5" ANC model (2700K, 90 CRI, 30° Optic, 30W)
Round, Standard, White Trim

Polar Plot



Cone of Light Tabulation



Voltage	Current	Power
120.0 VAC	0.2470 A	29.42 W

Power Factor	Frequency	Current THD
0.992	60 Hz	10.9%

Summary of Results

Spacing Criteria 0-180: 0.52
90-270: 0.52
Total Lumen Output: 2321 Lumens
Luminaire Efficacy: 78.9 lm/w
Maximum Candela: 8973 Candela

Zone	Lumens	% of Luminaire
0-40	2292	98.7%
0-60	2316	99.8%
0-90	2321	100.0%





ECO 5" LED DOWNLIGHT

ED5AIC, ED5ANC, ED5NC, ED5RM
ED5LAIC, ED5LANC, ED5LNIC, ED5LRIC
ED5SNIC

PROJECT: _____

TYPE: _____

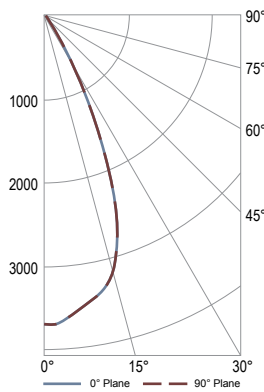
NOTE: _____

SPEC-00273 NEW ECO, 5", V-5.0, UPDATED 08/29/2022

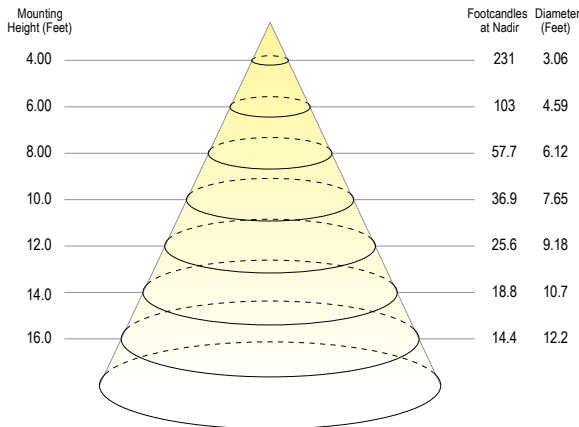
PHOTOMETRICS

Eco Downlight 5" ANC model (2700K, 90 CRI, 50° Optic, 30W)
Round, Standard, White Trim

Polar Plot



Cone of Light Tabulation



Voltage	Current	Power
120.0 VAC	0.2469 A	29.4 W

Power Factor	Frequency	Current THD
0.992	60 Hz	10.8%

Summary of Results

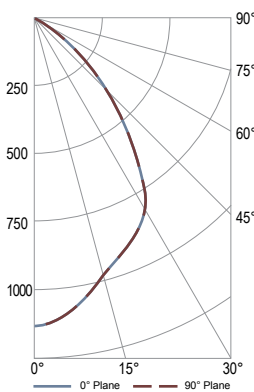
Spacing Criteria 0-180: 0.77
90-270: 0.77

Total Lumen Output: 2139 Lumens
Luminaire Efficacy: 72.7 lm/w
Maximum Candela: 3697 Candela

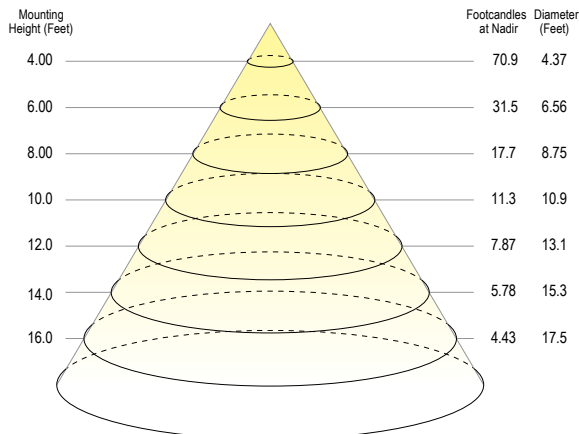
Zone	Lumens	% of Luminaire
0-40	2077	97.1%
0-60	2133	99.7%
0-90	2139	100.0%

Eco Downlight 5" ANC model (2700K, 90 CRI, 80° Optic, 30W)
Round, Standard, White Trim

Polar Plot



Cone of Light Tabulation



Voltage	Current	Power
120.0 VAC	0.2492 A	29.64 W

Power Factor	Frequency	Current THD
0.991	60 Hz	11.7%

Summary of Results

Spacing Criteria 0-180: 1.09
90-270: 1.09

Total Lumen Output: 1624 Lumens
Luminaire Efficacy: 54.8 lm/w
Maximum Candela: 1134 Candela

Zone	Lumens	% of Luminaire
0-40	1215	74.8%
0-60	1602	98.7%
0-90	1624	100.0%



ECO 5" LED DOWNLIGHT

ED5AIC, ED5ANC, ED5NC, ED5RM
ED5LAIC, ED5LANC, ED5LNIC, ED5LRIC
ED5SNIC

PROJECT: _____

TYPE: _____

NOTE: _____

SPEC-00273 NEW ECO, 5", V-5.0, UPDATED 08/29/2022

FOR DRIVER TYPE "S"

Universal Dimming Driver, ED5 and ED5S

Compatible Phase Control Dimmers			
MFG	Model	MFG	Model
Lutron	LGCL-153PL	Leviton	VPE06
Lutron	DVRP-253P	Leviton	DW1KD-1BZ
Lutron	RRD-6CL	Leviton	IPE04
Lutron	NTELV-600P	Leviton	IPL06
Lutron	DVELV-303P	Cooper	SAL06P
Lutron	MAELV-600		
Lutron	PD-6WCL		
Lutron	SELV-300P		
Lutron	DVCL-153P		

Compatible dimmer information provided by the dimming driver manufacturer

Compatible 0-10VDC Dimmers	
MFG	Model
Lutron	NFTV
Lutron	DVTV
Lutron	DVSTV
Leviton	IP710-LFZ
Lightolier	SR1200ZTUNV
Cooper	SF10P-W
Leviton	IP710-DL

Compatible dimmer information provided by the dimming driver manufacturer



ECO 5" LED DOWNLIGHT

ED5AIC, ED5ANC, ED5NC, ED5RM
ED5LAIC, ED5LANC, ED5LNIC, ED5LRIC
ED5SNIC

PROJECT: _____

TYPE: _____

NOTE: _____

SPEC-00273 NEW ECO, 5", V-5.0, UPDATED 08/29/2022

FOR DRIVER TYPE "S2"

Phase Control Dimming Driver, ED5L only

Compatible Phase Control Dimmers			
MFG	Model	MFG	Model
Lutron	S-603PG	Leviton	6631-LW
Lutron	DVCL-153P	Leviton	VPE06
Lutron	TGCL-153P	Leviton	6683-IW
Lutron	S600P	Leviton	6161
Lutron	DVELV303P	Leviton	6633-P
Lutron	SELV300P	Leviton	IPE04
Lutron	TG-600P	Cooper	DLC03P
Lutron	LG600P	Cooper	SLC03P
Lutron	CT103P	Cooper	DAL06P
Lutron	MAELV600	Lightolier	ZP260QEW
Lutron	FAELV500		

Compatible dimmer information provided by the dimming driver manufacturer